

BS,C , 201843, 132

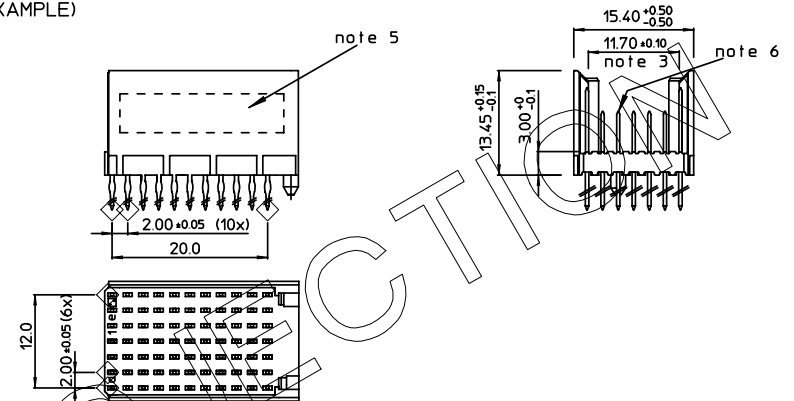
D

GEN. ST.	01	02	03	04	05	06	07	08	0D	50	60	70	80	90																	
INT. ST.	10	11	12	13	14	18	20	31	32	33	34	38	39	40	42	43	44	45	46	48	56	70	72	73	75	76	81	82	83	84	88

REV.	DATE	DESCRIPTION	BY	C 'K' 'D'
A	2001-09-14	CONVERSION REVISION 01	KN	
B	2002-05-31	EC B20086	BVE	
C	2005-10-27	105-0208	VIVEK	BKP
D	2006-07-05	106-0096	VIVEK	BKP

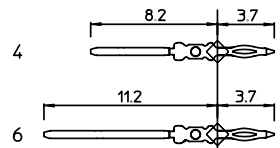
## LOADING PATTERN MATING SIDE

f	6	6	6	6	6	6	6	6	6	6
e	4	4	4	4	4	4	4	4	4	4
d	4	4	4	4	4	4	4	4	4	4
c	6	6	6	6	6	6	6	6	6	6
b	4	4	4	4	4	4	4	4	4	4
a	4	4	4	4	4	4	4	4	4	4
z	6	6	6	6	6	6	6	6	6	6
TOP	0	1	0	5	1	0	1	0	5	1

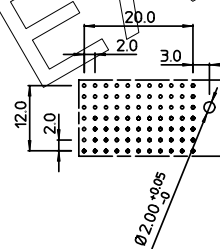
LOADED CONNECTOR ASSEMBLY  
(FOR EXAMPLE)

SHEET NR. :

## CONTACT OVERVIEW

SEATING PLANE  
FOR CONNECTOR

## LAY-OUT P.C.B.-HOLE

LEAD FREE INDICATOR : LF = LEAD FREE  
(DIGIT 15 & 16)

HM2P09PD5151

PLATING CODE (DIGIT 13 AND 14)  
(REF DWG No. BS,C , 201844, 003)

## NOTES:

1. THIS PRODUCT IS CSA APPROVED.
2. THIS PRODUCT IS UL RECOGNIZED.
3. MEASURED AT THE BOTTOM.
4. MATERIAL CONTACT: PHOSPHORBRONZE  
HOUSING: CREAM WHITE GLASS FILLED  
POLYESTER UL-94V0
5. CONNECTOR PRINTED WITH P/N AND DATE CODE.
6. FOR ACTUAL CONTACT LOADINGS, SEE LOADING PATTERN  
MATING SIDE.
7. SHAPE OF CONNECTOR HOUSING CAN ALTER  
DEPENDING ON PRODUCTION LOCATION.
8. THE PRODUCT (LF) MEETS EUROPEAN UNION DIRECTIVES AND OTHER COUNTRY  
REGULATIONS AS DESCRIBED IN GS-22-008
9. FOR RECOMMENDED PTH DIMENSIONS REFER DRAWING : BS,A , 201572,001

1DEC ± 0.2 2DEC ± 0.1 ANGLES ± 1°	<b>APPR.</b> DRAFT CHECKED	<b>DATE</b> 2000-03-28	<b>SIGN.</b> M. Fret	<b>LOADING PATTERN OVERVIEW</b> CAT. No. HM2P09PD5151----
WE RESERVE THE RIGHT TO CHANGE DIMENSIONS OR REQUIREMENTS WITHOUT PRIOR NOTICE.	PROD. MGR. PR. ENG. MGR. PR. MGT. MGR.			<b>FCI</b> www.fciconnect.com
ALL DIMENSIONS IN MM	<b>REFERENCES</b>			<b>SCALE</b>

THIS IS OUR EXCLUSIVE PROPERTY. IT IS NOT TO BE COPIED, REPRINTED  
OR DISCLOSED TO A THIRD PARTY. NOR USED FOR MANUFACTURING WITHOUT  
OUR WRITTEN CONSENT, AND HAS TO BE RETURNED TO US IN CASE OF NO USAGEDIT IS ONZE EIGENDOM EN MAG NOCH NAGEMAAKT, HERDRUKT, OVERGEHAAKT AAN  
DERDEN, NOCH VOOR FABRIKATIE GEBRUIKT WORDEN, ZONDER ONZE SCHRIFTELIJKE  
TOELATING. BIJ NIET GEBRUIK IS TERUGZENDING VERPLICHT.

BS,C , 201843, 132

D

DRAWING No. CUSTOMER DRAWING REVISION

PDM: Rev: D

STATUS: Released

Printed: Dec. 01, 2007

8

7

6

5

4

COUNTRY